

## DC / DC High Voltage Power Supply

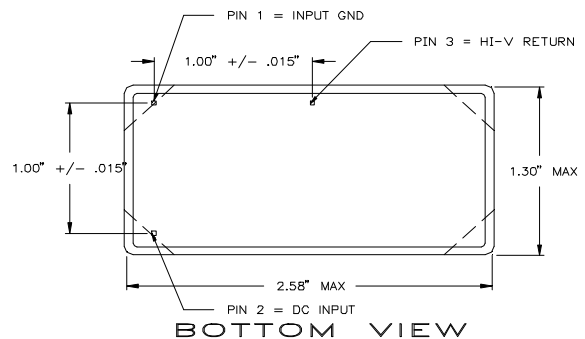
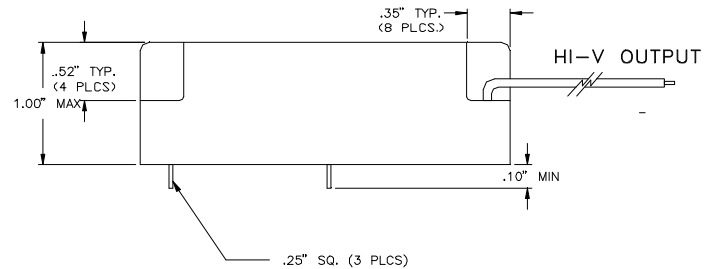
**P/N 90-900013-901**

### **Specifications:**

- ◆ Input voltage : 12 V<sub>DC</sub> .
- ◆ Output : 7.5 k V<sub>DC</sub> ± 15 % @ 1GΩ Load.

### **FEATURES:**

- ◆ Low cost.
- ◆ Output changes linearly with input change.
- ◆ Small size : 2.58" x 1.30" x 1.00" (Max ).



### **APPLICATIONS:**

- ◆ High end " feedback type" static protection equipment .
- ◆ Low cost static protection for industrial environments.
- ◆ Air cleaners.