

AC / DC Dual Adjustable Output High Voltage Power Supply

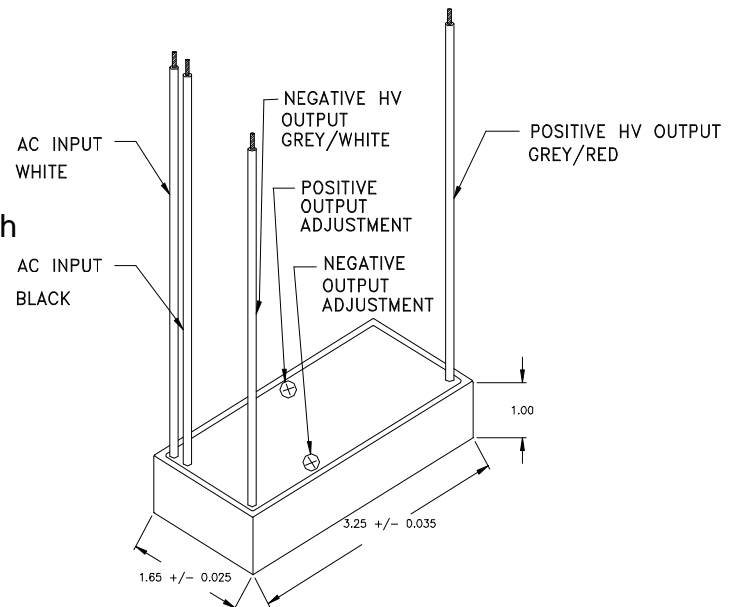
P/N 90-901112-901

Specifications:

- ◆ Input voltage : 120 V_{AC} ± 15 %.
- ◆ Output 1 : 5.3 k V_{DC} ± 15 % @ 1GΩ Load (Adjustable).
- ◆ Output 2 : - 5.3 k V_{DC} ± 15 % @ 1GΩ Load (Adjustable).

FEATURES:

- ◆ Low cost.
- ◆ Outputs are individually adjustable.
- ◆ Both outputs change simultaneously With change in AC input. This makes the outputs relationship insensitive to line fluctuations.
- ◆ If one output is loaded more, the other output tends to track it.
- ◆ Small size : 3.25" x 1.65" x 1.00".



APPLICATIONS:

- ◆ Low cost self-balancing static protection for industrial environments.
- ◆ Air cleaners.