

## AC / DC Dual Adjustable Output High Voltage Power Supply

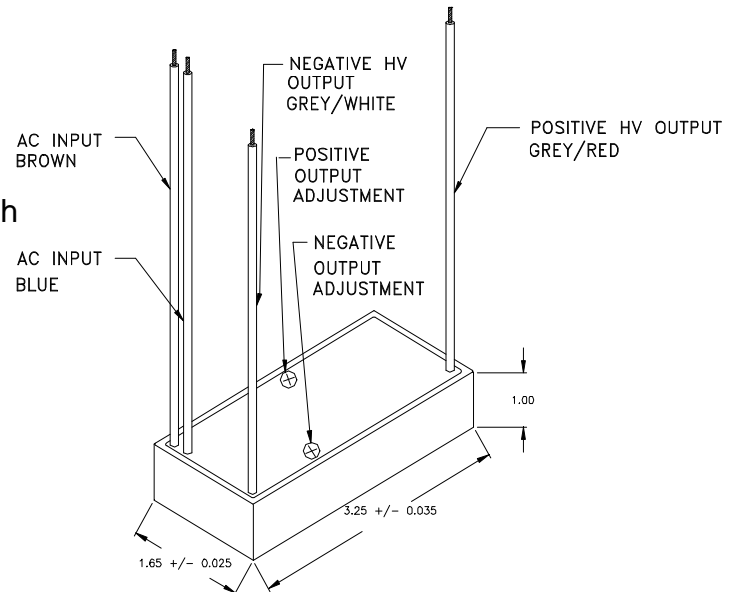
**P/N 90-901212-901**

### Specifications:

- ◆ Input voltage : 240 V<sub>AC</sub> ± 15 %.
- ◆ Output 1 : 5.3 k V<sub>DC</sub> ± 15 % @ 1GΩ Load (Adjustable).
- ◆ Output 2 : - 5.3 k V<sub>DC</sub> ± 15 % @ 1GΩ Load (Adjustable).

### FEATURES:

- ◆ Low cost.
- ◆ Outputs are individually adjustable.
- ◆ Both outputs change simultaneously With change in AC input. This makes the outputs relationship insensitive to line fluctuations.
- ◆ If one output is loaded more, the other output tends to track it.
- ◆ Small size : 3.25" x 1.65" x 1.00".



### APPLICATIONS:

- ◆ Low cost self-balancing static protection for industrial environments.
- ◆ Air cleaners.